



e-lock-S210M /
e-lock-S210MF

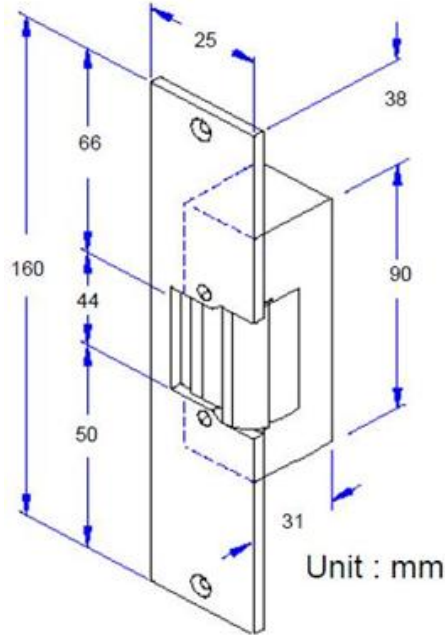
Features

e-lock-210 series electric strike lock offer cost effective solution with easy installation & suitable for variety of application. It is built-in with a micro switch that provides door status monitoring capability. All locks come with stainless steel face plate, designed to fit for most types of Aluminum, Steel, Wooden or Brass door application.

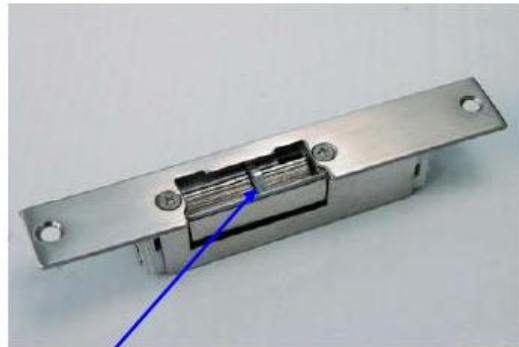
Specification

- 12Vdc operation
- Operation current 190mA
- e-lock-S210M (Fail-Secure Type) , Narrow style
- e-lock-S210MF (Fail-Safe Type) , Narrow style
- With Door Status Signal feedback / monitored
- Dimension : 160mm(L) X 24mm(W) X 31mm(D)
- Face Plate : Stainless Steel
- Safety Approval :- **CE**
- Electrical Specification:
Voltage: 12Vdc
Power Consumption: 2.3 watt max.
Current drawn: 170mA / 12VDC (Fail Safe model)
190mA / 12VDC (Fail Secure model)

User Guide – Installation



User Guide – Door Status Signal



Door Status Signal (Micro Switch)

Terminals	Door Closed	Door Opened
Blue	NC	NO
Red	NO	NC
Green	Com	Com